

# 快速上手指南

## IPEVO DO-CAM USB 實物攝影機

**IPEVO**  
www.ipevo.com

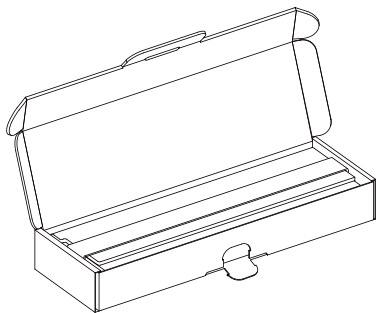
愛比科技顧客服務  
客服信箱：service@ipevo.com  
電話：(02) 5550-8686

Copyright© 2020 IPEVO Corp. 保留所有權利。

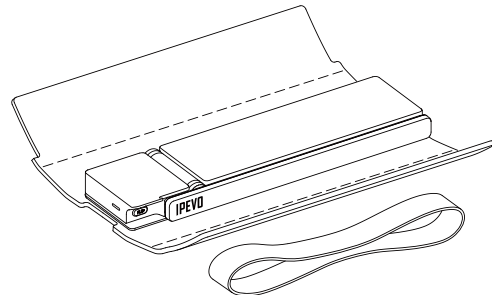
## 基本功能

簡單通過 USB 連接電腦，便能利用 IPEVO DO-CAM 捕捉並投影即時影像。輕量可折式設計便於攜帶，靈活可調支架及鏡頭，讓你隨心所欲調整至所需的高度、角度，以捕捉最佳影像。

## 開箱 DO-CAM



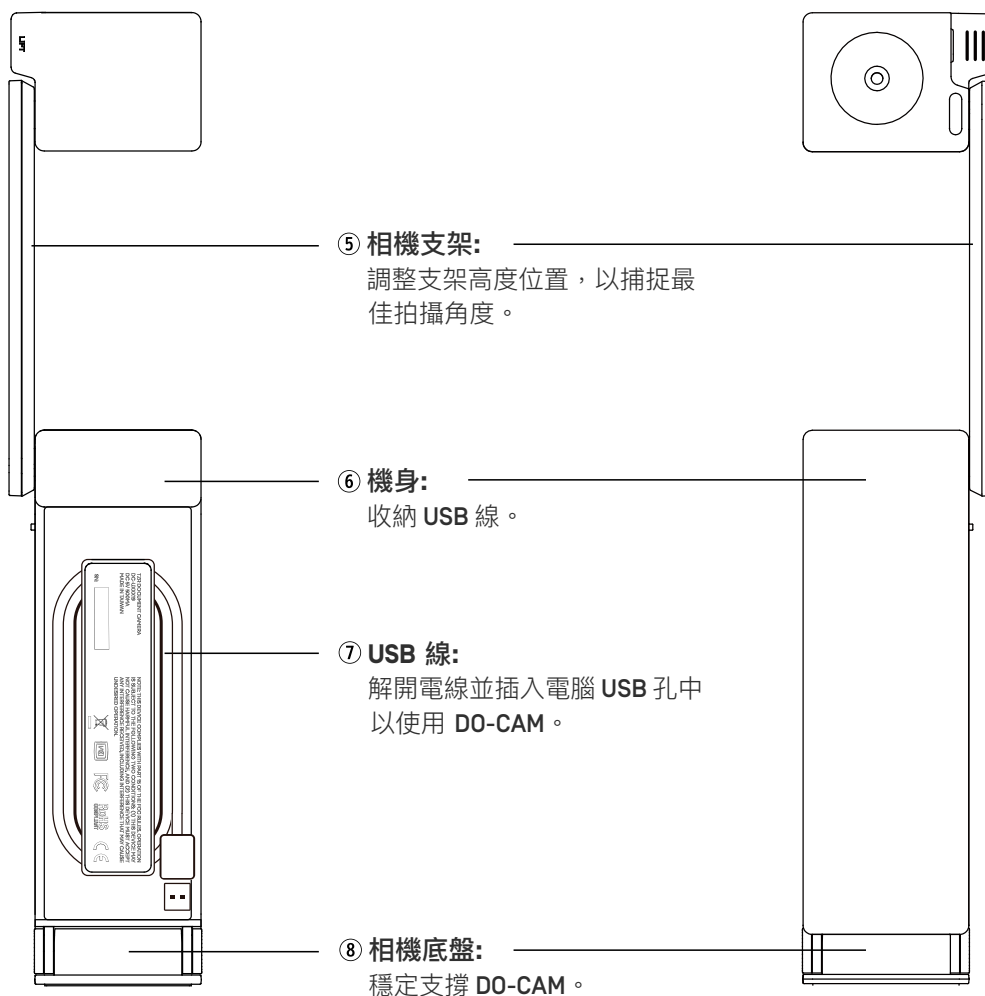
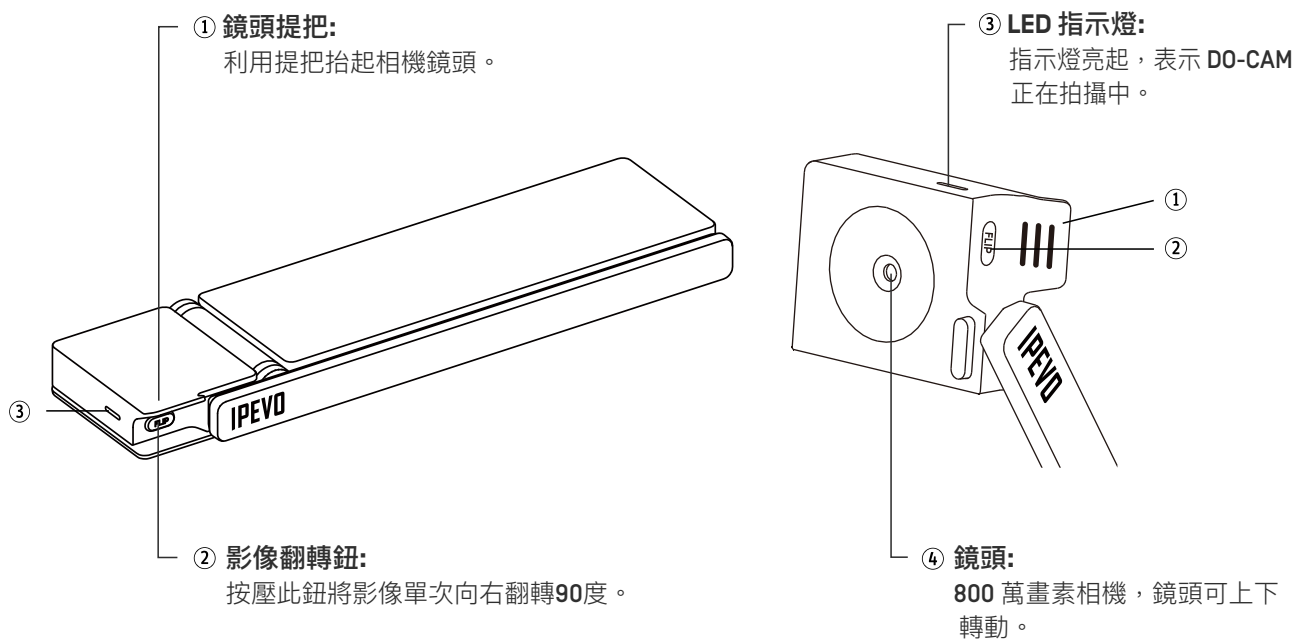
1. 打開包裝，取出DO-CAM



2. 拆下彈力帶及填充泡棉。

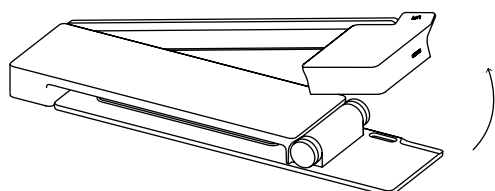
\*建議保存彈力帶及泡棉，以便於攜帶時確保 DO-CAM 的安全性及密實度。

# 進一步了解你的 DO-CAM

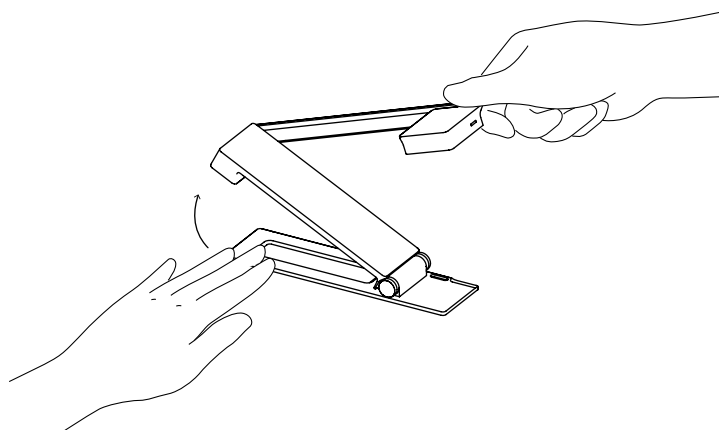


# 相機設置與連接

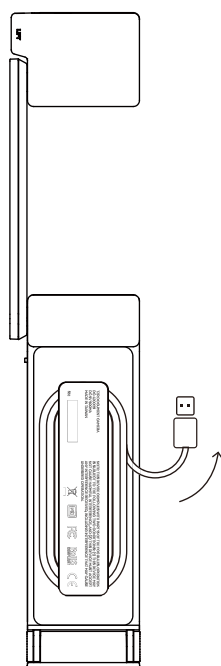
DO-CAM 的隨插即用設計，讓你簡單幾步驟，便能完成 DO-CAM 的設定。



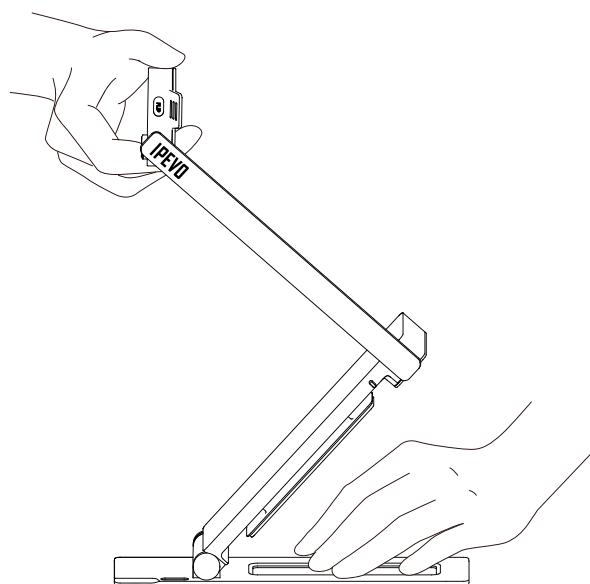
1. 使用鏡頭提把抬起 DO-CAM 鏡頭。



2. 另一手按著相機底盤，拉著提把的手順勢將 DO-CAM 向上拉起。



3. 解開機身下收納的 USB 線，並插入電腦的 USB 孔中（適用於 Mac、PC 及 Chromebook）。



4. 調整機身、支架或 / 及鏡頭將 DO-CAM 架設至適當位置。至此，一切設置完畢。

# 搭配軟體使用 DO-CAM

DO-CAM 為 UVC 相機，因此能適用於所有能讀取 UVC 視訊源的軟體。但為充分利用你的 DO-CAM，我們建議搭配使用 **IPEVO Visualizer** 軟體。Visualizer 提供的錄影、截圖、子母畫面等多項實用功能，讓你不論在教學或演示時都能如魚得水。

若以 Skype、Zoom 或 Google Hangouts 等第三方軟體連接 DO-CAM，建議同時使用 **IPEVO CamControl** 來調整影像旋轉、曝光、對焦等基本相機設定。

## Safety Information

### Federal Communications Commission (FCC) Statement

This device complies with Part 15 of the FCC Rules. Operation is subject to the following two conditions: (1) this device may not cause harmful interference, and (2) this device must accept any interference received, including interference that may cause undesired operation.

This equipment has been tested and found to comply with the limits for a Class B digital device, pursuant to part 15 of the FCC Rules. These limits are designed to provide reasonable protection against harmful interference in a residential installation. This equipment generates, uses, and can radiate radio frequency energy and, if not installed and used in accordance with the instruction manual, may cause harmful interference to radio communications. However, there is no guarantee that interference will not occur in a particular installation. If this equipment does cause harmful interference to radio or television reception, which can be determined by turning the equipment off and on, the user is encouraged to try to correct the interference by one or more of the following measures:

- Reorient or relocate the receiving antenna.
- Increase the separation between the equipment and receiver.
- Connect the equipment into an outlet on a circuit different from that to which the receiver is connected.
- Consult the dealer or an experienced radio/TV technician for help.

Any changes or modifications not expressly approved by the party responsible for compliance could void the authority to operate equipment.

This device and its antenna must not be co-located or operating in conjunction with any other antenna or transmitter.

For product available in the USA/Canada market, only channel 1-11 can be operated. Selection of other channels is not possible.

### VCCI-B

この装置は、クラスB情報技術装置です。この装置は、家庭環境で使用することを目的としていますが、この装置がラジオやテレビジョン受信機に近接して使用されると、受信障害を引き起こすことがあります。取扱説明書に従って正しい取り扱いをしてください。



安全警語

請避免於下列場所使用/存放 IPEVO 產品：

- 近熱源處
- 近蒸氣或油煙處
- 高濕度場域
- 沙塵集結堆積處